



## Universal Electric Vehicle Chargers

7.4kW or 22kW Models



## Universal Electric Vehicle Charger

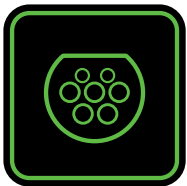
The QUBEV range offers affordable fast electric vehicle charging points for the home and the workplace, allowing electric vehicle drivers to simply plug in their vehicle and recharge seamlessly.

Offering full Mode 3 charging for all Electric and Plug-in Hybrid vehicles, the charger's built-in adjustable power rating also provides a choice of five amperage settings.

This universal and compact charging unit has been specifically designed for easy and swift installation at domestic and commercial locations.



- Easy to install and maintain
- Universal charging socket
- Power rating – Up to 7.4kW or 22kW
- Adjustable power rating – 10A, 16A, 20A, 25A & 32A
- Built-in 6mA DC sensitive protective device
- Built-in LED charging status indicator
- IP65 Weatherproof & UV stabilised enclosure
- Corrosion resistant & fire rated
- IK08 Impact-resistant design
- CE certified



Type 2  
Charging Socket



Hardwearing  
Materials



Universal  
Charging



Up to 7.4kW or 22kW  
Charging Speeds



Adjustable  
Power Rating



IP65 Rated  
Enclosure



IK08 Impact  
Rating



Weather/Heat  
Resistant

# The details

## ADJUSTABLE CHARGER POWER RATING

By default, the QUBEV charger is set to 32A – however, if a lower power setting is required, the power rating can be adjusted between 10A, 16A, 20A, 25A & 32A using the internal Amp selector.



## FAST & RELIABLE

Our Type 2, universal QUBEV charging point provides you with fast and reliable charging for both domestic and commercial locations.

## COMPATIBLE & COMPLIANT

Compatible with all EVs and PHEVs on the market, provided that you have the corresponding cable to plug in. The QUBEV is also tested to meet CE standards.

## WEATHER/HEAT RESISTANT

With an IP65 weatherproof enclosure rating, rest assured, you can allow your electric vehicle to recharge throughout the day and night, during all weather conditions.

## HARD-WEARING & DURABLE

The QUBEV enclosure is produced using durable ABS (UL94 HB fire-rated & IK08 impact-resistant) plastic, ensuring that you can recharge your vehicle for many years to come.

## COMPACT DESIGN

Our QUBEV charging point is designed to provide users with a discreet electric vehicle charging solution for the home or workplace.

# Specifications



Electrical Specification		
Product Code	EVON0040	EVON0080
Description	QUBEV 1-Phase Universal Socket EV Charging Unit	QUBEV 3-Phase, Universal Socket EV Charging Unit
Connection Type	Type 2 (IEC 62196) charging socket	
Charge Protocol	Mode 3	
Rated Output	Up to 7.4kW (32A)	Up to 22kW (32A)
Rated Current	Up to 32A max.	
Charging Current	Variable – 10A, 16A, 20A, 25A & 32A	
DC Fault Protection	6mA DC fault protection	
Input Supply	230V AC (±10 %) 50/60Hz (1-Phase)	400V AC (±10 %) 50/60Hz (3-Phase)
Incoming Cable Terminals	3 x 16mm terminals	5 x 16mm terminals
Overcurrent Protection	Recommended 40A	

Physical Specification		
Dimensions	150mm x 200mm x 118mm (W x H x D)	200mm x 200mm x 118mm (W x H x D)
Materials	ABS (UL94 HB Fire Rated)	
Weight	<1.4kg	<1.7kg
Operating Temperature	-20°C to +50°C	
Ingress Protection	IP65 - Enclosure, IP54 - Socket	
Impact Protection	IK08	
Unit Colour	Black	

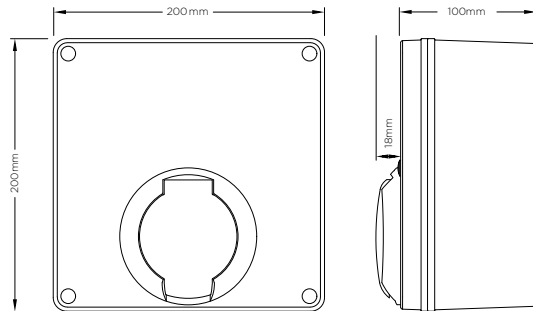
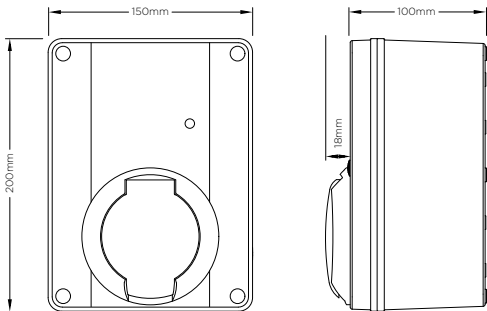
Certifications & Compliances	
EV Charging Compliance	IEC 61851-1:2017, IEC 61851-1:2019
Glow Wire Testing	IEC 60695-2-11:2021
EMC Compliance	2014/30/EU EN IEC 61851-21-2: 2021 EN 61000-3-11:2017, EN 61000-3-12:2011, EN 61000-4-2:2008, EN 61000-4-3:2010, EN 61000-4-4:2012, EN 61000-4-5:2014, EN 61000-4-6:2013, EN 61000-4-8:2009, EN 61000-4-34:2009
Safety Compliance	EN 60950-1:2006+A2:2013, EN 60950-22:2017
Low Voltage Directive (LVD)	2014/35/EU
Certification Markings	CE & WEEE



Single Phase



Three Phase



THIS DOCUMENT CONTAINS INFORMATION THAT IS SUBJECT TO CHANGE WITHOUT NOTICE.

The latest version of this publication can be downloaded at <http://qubev.com>  
Illustrations of the product and user interface are for marketing purposes only.

Brand names, logos and trademarks used herein remain the property of their respective owners.  
This listing of any firm or their logos is not intended to imply any endorsement or direct affiliation with ONE STOP EUROPE AB, and is purely to demonstrate branding opportunities.

© 2023 by ONE STOP EUROPE AB. All rights reserved.  
QUBEVD-V01-R0 QubeEV Data Sheet